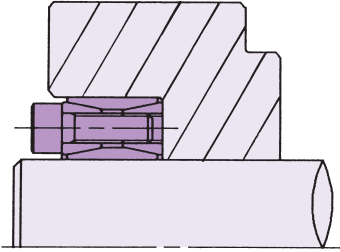
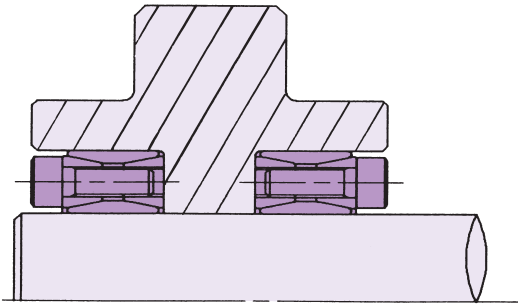


## DESIGN EXAMPLES

1. Hub mounting utilizing one POWER-LOCK:

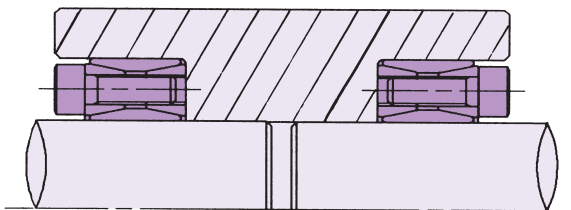
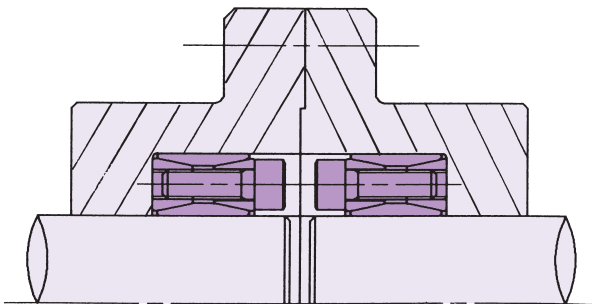


2. Hub mounting with POWER-LOCK located on opposite sides of hub:

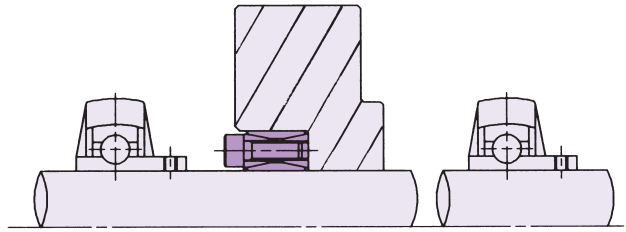


With this arrangement, twice the torque will be transmitted.

3. Rigid shaft coupling mounting with two POWER-LOCK:

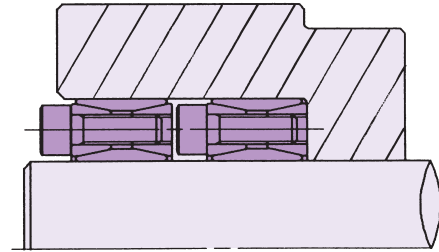


4. Hub mounting in the middle of a shaft:



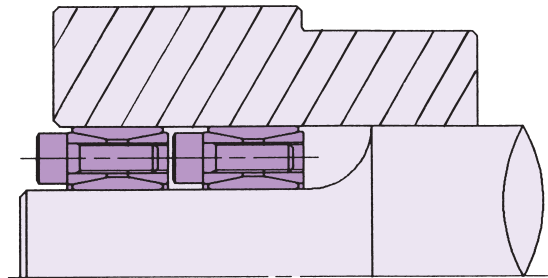
POWER-LOCK can be used at any place on the shaft without keyway.

5. Hub mounting utilizing two POWER-LOCK:



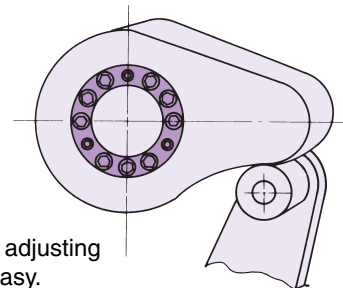
In this arrangement, POWER-LOCK transmits twice the torque.

6. Hub mounted on a stepped shaft:



This arrangement is often used in conjunction with thin hub wall applications, for hubs with a straight through bore.

7. Lever or cam mounting:



Positioning and adjusting are extremely easy.