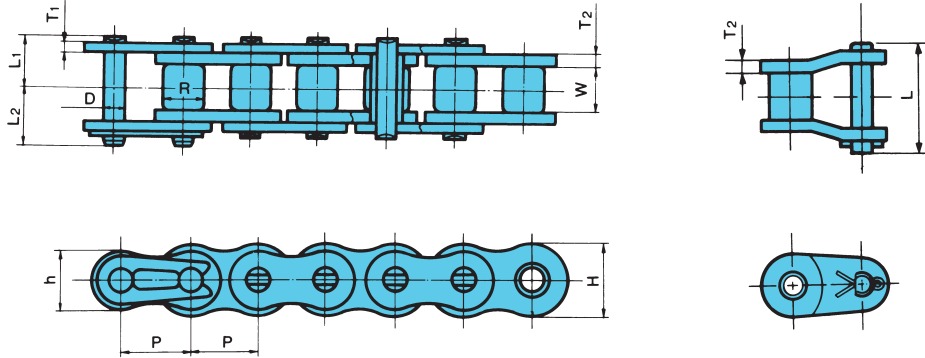


U.S. TSUBAKI BS/DIN ROLLER CHAIN

BS/DIN Drive Lambda Λ ®



Dimensions – Inches

U.S. TSUBAKI Chain No.	Pitch P	Roller Diameter R	Width Between Roller Link Plates W	Link Plates			
				PLP Thickness T_1	RLP Thickness T_2	RLP Height H	PLP Height h
RSD08B-LAMBDA®	.500	.335	.305	.060	.080	.472	.409
RSD10B-LAMBDA	.625	.400	.380	.080	.080	.591	.512
RSD12B-LAMBDA	.750	.475	.460	.094	.094	.713	.614

U.S. TSUBAKI Chain No.	Pin				Avg. Tensile Strength lbs.	Approx. Weight lbs./ft.
	D	L_1	L_2	L		
RSD08B-LAMBDA	.175	.346	.411	.787	4,230	.47
RSD10B-LAMBDA	.200	.406	.472	.886	6,080	.70
RSD12B-LAMBDA	.225	.486	.565	1.138	9,060	1.01

Note: Although some dimensions differ from British Standard (DIN), the primary dimensions are identical, enabling BS LAMBDA® to engage perfectly with British Standard sprockets.