



# ONE-TOUCH INSPECTION DOOR®

## Fast, Reliable Line Access

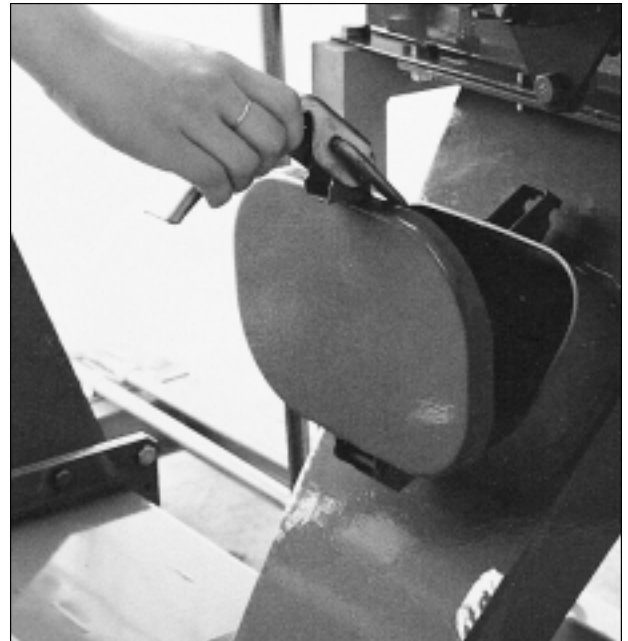
Our prefabricated steel doors seal out dust and rain but permit line inspections simply by lifting the handle — with no bolts to loosen and no covers to misplace. A variety of sizes and styles are in-stock and ready-to-go for quick and easy installation at the jobsite. You can't build better access to your lines.

- Easy to install
- Easy to open and close
- Durable and trouble-free
- Dust- and rain-tight

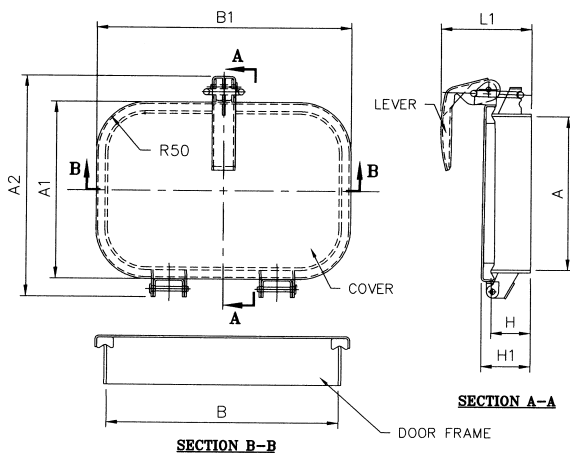
**Need a special size or extra handles?**

**Do you want to change the location of handles or hinges?**

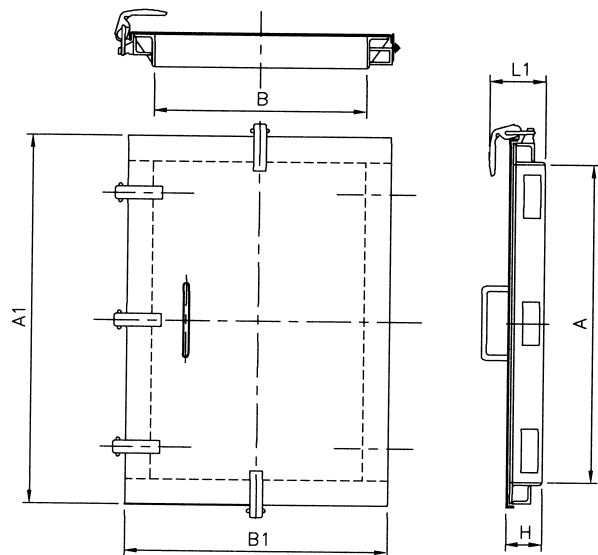
**Contact U.S. Tsubaki. We can work with you on special requirements.**



## Standard Model



## Large Model



## ONE-TOUCH INSPECTION DOOR® Standard Model Specifications

### Material Thickness

Frame: 10 gauge  
Cover: 13 gauge

### Component Composition

Model Number	Body Material	Handle Material
P Series	Mild steel	Chrome-plated
Q Series	304 Stainless	Chrome-plated
R Series	304 Stainless	304 Stainless
QS Series*	316L Stainless	Chrome-plated
RS Series*	316L Stainless	304 Stainless

### Gasket Options

Polyethylene (SG)  
Epichlorhydrin (ECH)  
Silicon Rubber (HT)

### Temperature Range

-95° F to 175° F  
-40° F to 275° F  
-67° F to 400° F

\*Call for availability.

### Standard ONE-TOUCH INSPECTION DOOR Specifications

Dimensions are in inches unless otherwise indicated.

Style/ Model Number		Door Frame				Cover					Lever			Approx. Weight (lbs.)	
		A	B	Std.	High Neck	A1	A2	B1	Std.	High Neck	Std.	High Neck	Qty.	Std.	High Neck
H	H1													L1	
<b>Mild Steel Body, Chrome-Plated Handle</b>															
P1	P1H	5	8	2	4	6 1/4	8 1/2	9	2 1/2	4 1/2	4 1/2	6 1/2	1	4.5	6
P2	P2H	8	12	2	4	9	11 1/4	13	2 1/2	4 1/2	4 1/2	6 1/2	1	6.6	9.2
P3	P3H	13 3/4	19 3/4	2	4	15	17 1/4	20 3/4	2 1/2	4 1/2	4 1/2	6 1/2	2	13.2	17.6
P4		19 3/4	23 1/2	3	N/A	20 3/4	23 1/4	24 3/4	3 1/2	5 1/2	4 1/2	N/A	2	24.2	N/A
<b>304 Stainless Steel Body, Chrome-Plated Handle</b>															
Q1	Q1H	5	8	2	4	6 1/4	8 1/2	9	2 1/2	4 1/2	4 1/2	6 1/2	1	4.5	6
Q2	Q2H	8	12	2	4	9	11 1/4	13	2 1/2	4 1/2	4 1/2	6 1/2	1	6.6	9.2
Q3	Q3H	13 3/4	19 3/4	2	4	15	17 1/4	20 3/4	2 1/2	4 1/2	4 1/2	6 1/2	2	13.2	17.6
Q4		19 3/4	23 1/2	3	N/A	20 3/4	23 1/4	24 3/4	3 1/2	5 1/2	4 1/2	N/A	2	24.2	N/A
<b>304 Stainless Steel Body, 304 Stainless Steel Handle</b>															
R1	R1H	5	8	2	4	6 1/4	8 1/2	9	2 1/2	4 1/2	4 1/2	6 1/2	1	4.5	6
R2	R2H	8	12	2	4	9	11 1/4	13	2 1/2	4 1/2	4 1/2	6 1/2	1	6.6	9.2
R3	R3H	13 3/4	19 3/4	2	4	15	17 1/4	20 3/4	2 1/2	4 1/2	4 1/2	6 1/2	2	13.2	17.6
R4		19 3/4	23 1/2	3	N/A	20 3/4	23 1/4	24 3/4	3 1/2	5 1/2	4 1/2	N/A	2	24.2	N/A
<b>316L Stainless Steel Body, Chrome-Plated Handle</b>															
QS1	QS1H	5	8	2	4	6 1/4	8 1/2	9	2 1/2	4 1/2	4 1/2	6 1/2	1	4.5	6
QS2	QS2H	8	12	2	4	9	11 1/4	13	2 1/2	4 1/2	4 1/2	6 1/2	1	6.6	9.2
QS3	QS3H	13 3/4	19 3/4	2	4	15	17 1/4	20 3/4	2 1/2	4 1/2	4 1/2	6 1/2	2	13.2	17.6
<b>316L Stainless Steel Body, 304 Stainless Steel Handle</b>															
RS1	RS1H	5	8	2	4	6 1/4	8 1/2	9	2 1/2	4 1/2	4 1/2	6 1/2	1	4.5	6
RS2	RS2H	8	12	2	4	9	11 1/4	13	2 1/2	4 1/2	4 1/2	6 1/2	1	6.6	9.2
RS3	RS3H	13 3/4	19 3/4	2	4	15	17 1/4	20 3/4	2 1/2	4 1/2	4 1/2	6 1/2	2	13.2	17.6

Note: Dimensions are rounded to the nearest 1/4".

## ONE-TOUCH INSPECTION DOOR Large Model Specifications

### Material Thickness

Frame: 1/4"  
Cover: 10 gauge

### Component Composition

L Series	Options
Body material	Mild steel, Stainless steel*
Lever material	Mild steel, Stainless steel*
Body finish	Rust-proof, one-coat
Handle finish	Chrome-plated
Gasket options	Neoprene rubber, Silicon rubber

### Gasket Options

Neoprene Rubber  
Silicon Rubber (HT)

### Temperature Range

-20° F to 160° F  
-80° F to 550° F

\*Call for availability.

### Large ONE-TOUCH INSPECTION DOOR Specifications

All dimensions are in inches unless otherwise indicated.

Model Number	Door Opening		Cover			Lever	Quantity	Approximate Weight (lbs.)
	A	B	A1	B1	H	L1		
L1	29 1/2	19 3/4	34 1/4	24 1/2	3 1/4	5 1/4	5	80
L2	39 1/4	25 1/2	44	30 1/4	3 1/4	5 1/4	6	111
L3	47 1/4	31 1/2	52	36 1/4	3 1/4	5 1/4	8	140.8

Note: Dimensions rounded to the nearest 1/4".